

LOVE Series

3138 WALK-IN TUB




With its unique, compact design, the American Tubs 3138 from our LOVE Series, affectionately called the "Cube Tub," can be installed where other traditional walk-in tubs cannot. The 3138's versatility makes it a perfect solution as a free-standing tub or for a three-quarter bath with an existing 36" x 36" shower stall.

This compact model comes equipped with 2 integrated side panels and an outward-swinging door which allows for a variety of creative installations, such as in laundry areas, washrooms and garages. Unlike our other larger tub models, the 3138 comes standard with a Kingston single-piece faucet set and attached handheld sprayer that mounts on its compact tub deck.

The adjustable shower slide bar and custom-tailored shower curtain are the most common accessories paired with the 3138 to maintain the showering function of the space. When installing the 3138 in a 3-wall alcove, it is important to install an additional maintenance hatch(es) for easy future access to system components.



THERAPEUTIC SYSTEM OPTIONS

-  **Hydromassage System - 10 Jet**
-  **Air Massage System - 20 Jet**
-  **MicroBubble Skin-Cleansing System**

DOOR/DRAIN ORIENTATION

Left-Hand or Right-Hand



AVAILABLE COLORS

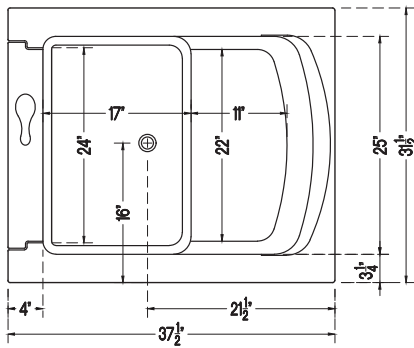
White or Biscuit



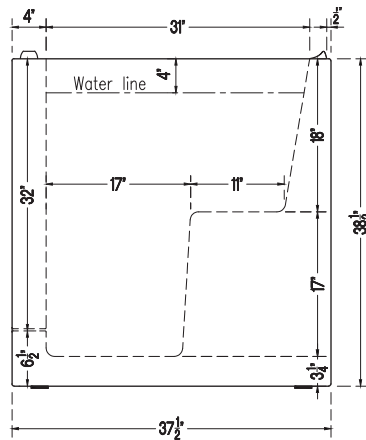
STANDARD FEATURES

- Marine-Grade Fiberglass & Resin Composite Tub Shell
- High-Gloss, Triple-Coated Gelcoat Finish
- One-Piece, Stainless-Steel Support Frame
- 6 Adjustable Leveling Legs
- Low, 6" Door Threshold
- Ergonomic, 180° Turn Door Handle
- Water-Tight Door Seal
- 17" High, ADA-Compliant, Contoured Seat
- Deck-Mounted, U-Shaped Grab Bar
- Non-Slip, Textured Floor
- Integrated Door Drain
- Flangeless Design

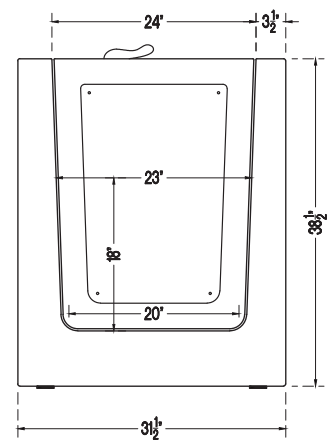
TOP VIEW



SIDE VIEW



FRONT VIEW



TUB 3138 SPECIFICATIONS

Tub Dimensions	31" W x 38" L x 38" H
Top Diagonal	49 1/4"
Tub Weight	175 lbs.
Crated Dimensions	34" W x 40" L x 48" H
Water Capacity (with user inside approximately)	120 lb. / 46 Gallons 200 lb. / 42 Gallons 250 lb. / 39 Gallons
Seat Dimensions	H: 17"; W: 22"
Door Width	24" (at top)
Door Swing	Outward-Swinging

DRAIN OPTIONS

1 1/2" Bath Drain & Overflow
2" HurryDrain™
Secondary Emergency Drain
Power Drain

FAUCET OPTIONS

Elite	4 pcs	Chrome	Modern
Bellevue	5 pcs	Chrome	Modern
Bellevue	5 pcs	Satin/Nickel	Modern
Bellevue	5 pcs	Oil-Rubbed Bronze	Modern
Salutation	5 pcs	Chrome	Classic
Kingston	1 pc	Chrome	Compact

Hydromassage System Add-Ons & Upgrades

- Leg Massage Only System
- Adjustable Bidet Jet
- Ozone Sanitization System
- Water-Heating Syllent Pump
- Friction Heater
- Inline Heater
- Additional Hip or Knee Jets
- Aromatherapy System

Optional Accessories

- Chromotherapy Light System
- Heated Seat & Backrest
- Neck Rest Pillow
- Seat Cushion
- L-Shaped Shower Curtain Rod
- Adjustable Shower Slide Bar
- Anti-Scald Valve
- Optional Tile Flange Kit
- Side Panels for Hinge or Non-Hinge Side
- Bathing Support Harness



Plumbing Safety Certified



Electrical Safety Certified



Limited Lifetime Warranty



Expedited Freight Shipping (less than 2 weeks)



1274 E Cypress St, Covina, CA 91724
 Telephone: 626.581.3588
 Fax: 800.943.8652
 E-mail: sales@americantubs.com
 © 2019 American Tubs



LOVE Series

3252W SLIDE-IN TUB

The American Tubs 3252W from our LOVE Series is extremely roomy, luxury-sized, and packed with specialty features.

The extra-wide, 34½", outward-swinging door is the highlight of this slide-in or transfer seat walk-in tub design. The full seat access from the exterior of the tub was specifically engineered for wheelchair users, seniors with limited mobility, paraplegics, amputees, and those individuals with special needs.

It follows that the 3252W comes highly recommended by in-home and long-term health care professionals. Special attention was paid to the door and locking mechanism to ensure a worry-free, leak-proof door seal. The 3252W is also an excellent choice for individuals up to 250 lbs. that may have difficulty fitting through smaller tub doorways.



THERAPEUTIC SYSTEM OPTIONS



Hydromassage System - 10 Jet



Air Massage System - 20 Jet



MicroBubble Skin-Cleansing System

DOOR/DRAIN ORIENTATION

Left-Hand or Right-Hand



AVAILABLE COLORS

White or Biscuit



STANDARD FEATURES

- Marine-Grade Fiberglass & Resin Composite Tub Shell
- High-Gloss, Triple-Coated Gelcoat Finish
- One-Piece, Stainless-Steel Support Frame
- 6 Adjustable Leveling Legs
- Low, 6" Door Threshold
- Ergonomic, Push/Pull Door Handle
- Water-Tight Door Seal
- 17" High, ADA-Compliant, Contoured Seat
- Interior Safety Grab Bar
- Deck-Mounted, U-Shaped Grab Bar
- Non-Slip, Textured Floor
- Integrated Door Drain
- 2 Integrated Front Access Maintenance Panels
- Color-Matched Extension Kit to Fill to 60"
- Flangeless Design

American Tubs

1274 E Cypress St, Covina, CA 91724

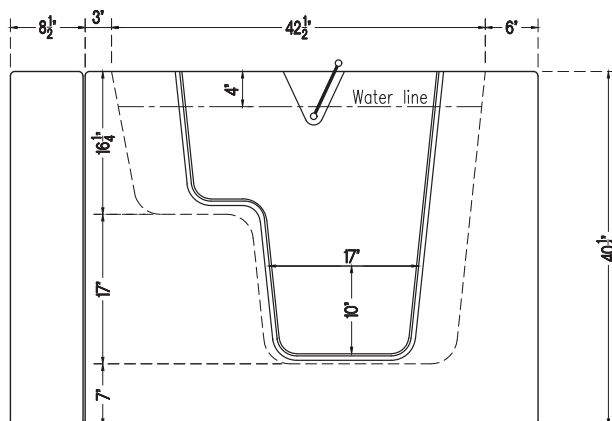
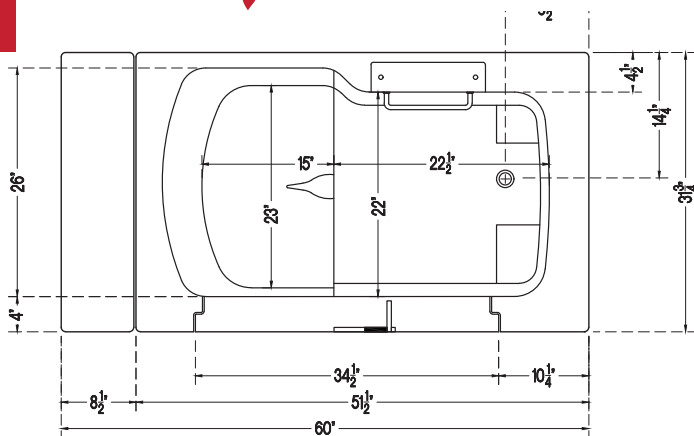
Telephone: 626.581.3588

Fax: 800.943.8652

E-mail: sales@americantubs.com

© 2019 American Tubs

AmericanTubs.com



TUB 3252W SPECIFICATIONS

Tub Dimensions	31 3/4" W x 51 1/2" L x 40 1/4" H
Top Diagonal	60 1/2"
Tub Weight	195 lbs.
Crated Dimensions	34 1/4" W x 54" L x 49" H
Water Capacity (with user inside approximately)	120 lb. / 65 Gallons 200 lb. / 60 Gallons 250 lb. / 57 Gallons
Seat Dimensions	H: 17"; W: 23"
Door Width	34 1/2" (at top)
Door Swing	Outward-Swinging

DRAIN OPTIONS

1 1/2" Bath Drain & Overflow
2" HurryDrain™
Secondary Emergency Drain
Power Drain

FAUCET OPTIONS

Elite	4 pcs	Chrome	Modern
Bellevue	5 pcs	Chrome	Modern
Bellevue	5 pcs	Satin/Nickel	Modern
Bellevue	5 pcs	Oil-Rubbed Bronze	Modern
Salutation	5 pcs	Chrome	Classic
Kingston	1 pc	Chrome	Compact

Hydromassage System Add-Ons & Upgrades

- Leg Massage Only System
- Adjustable Bidet Jet
- Ozone Sanitization System
- Water-Heating Syllent Pump
- Friction Heater
- Inline Heater
- Additional Hip or Knee Jets
- Aromatherapy System

Optional Accessories

- Chromotherapy Light System
- Heated Seat & Backrest
- Neck Rest Pillow
- Seat Cushion
- L-Shaped Shower Curtain Rod
- Adjustable Shower Slide Bar
- Swinging Glass Shower Door
- Anti-Scald Valve
- Optional Tile Flange Kit
- Additional 12" Extension Kit
- End Panel for Seat and/or Faucet Side
- Bathing Support Harness



Plumbing Safety Certified



Electrical Safety Certified



Limited Lifetime Warranty



Expedited Freight Shipping (less than 2 weeks)



1274 E Cypress St, Covina, CA 91724
 Telephone: 626.581.3588
 Fax: 800.943.8652
 E-mail: sales@americantubs.com
 © 2019 American Tubs



LOVE Series

3252W SLIDE-IN TUB




The American Tubs 3252W from our LOVE Series is extremely roomy, luxury-sized, and packed with specialty features.

The extra-wide, 34½", outward-swinging door is the highlight of this slide-in or transfer seat walk-in tub design. The full seat access from the exterior of the tub was specifically engineered for wheelchair users, seniors with limited mobility, paraplegics, amputees, and those individuals with special needs.

It follows that the 3252W comes highly recommended by in-home and long-term health care professionals. Special attention was paid to the door and locking mechanism to ensure a worry-free, leak-proof door seal. The 3252W is also an excellent choice for individuals up to 250 lbs. that may have difficulty fitting through smaller tub doorways.



THERAPEUTIC SYSTEM OPTIONS

-  **Hydromassage System - 10 Jet**
-  **Air Massage System - 20 Jet**
-  **MicroBubble Skin-Cleansing System**

DOOR/DRAIN ORIENTATION

Left-Hand or Right-Hand



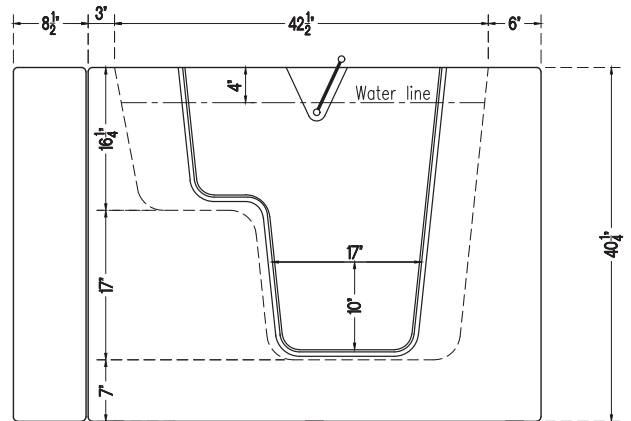
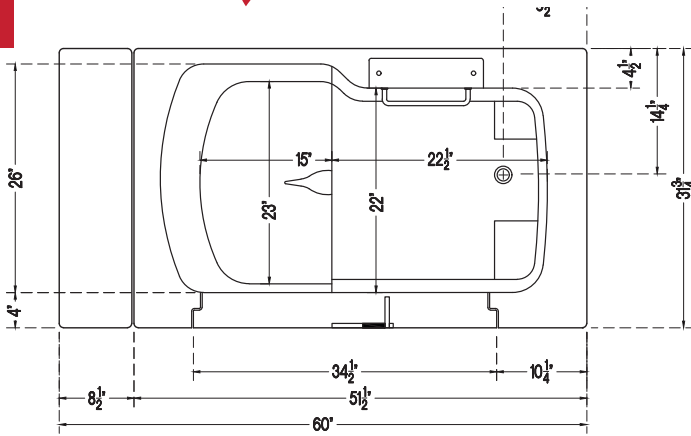
AVAILABLE COLORS

White or Biscuit



STANDARD FEATURES

- Marine-Grade Fiberglass & Resin Composite Tub Shell
- High-Gloss, Triple-Coated Gelcoat Finish
- One-Piece, Stainless-Steel Support Frame
- 6 Adjustable Leveling Legs
- Low, 6" Door Threshold
- Ergonomic, Push/Pull Door Handle
- Water-Tight Door Seal
- 17" High, ADA-Compliant, Contoured Seat
- Interior Safety Grab Bar
- Deck-Mounted, U-Shaped Grab Bar
- Non-Slip, Textured Floor
- Integrated Door Drain
- 2 Integrated Front Access Maintenance Panels
- Color-Matched Extension Kit to Fill to 60"
- Flangeless Design



TUB 3252W SPECIFICATIONS

Tub Dimensions	31 3/4" W x 51 1/2" L x 40 1/4" H
Top Diagonal	60 1/2"
Tub Weight	195 lbs.
Crated Dimensions	34 1/4" W x 54" L x 49" H
Water Capacity (with user inside approximately)	120 lb. / 65 Gallons 200 lb. / 60 Gallons 250 lb. / 57 Gallons
Seat Dimensions	H: 17"; W: 23"
Door Width	34 1/2" (at top)
Door Swing	Outward-Swinging

DRAIN OPTIONS

1 1/2" Bath Drain & Overflow
2" HurryDrain™
Secondary Emergency Drain
Power Drain

FAUCET OPTIONS

Elite	4 pcs	Chrome	Modern
Bellevue	5 pcs	Chrome	Modern
Bellevue	5 pcs	Satin/Nickel	Modern
Bellevue	5 pcs	Oil-Rubbed Bronze	Modern
Salutation	5 pcs	Chrome	Classic
Kingston	1 pc	Chrome	Compact

Hydromassage System Add-Ons & Upgrades

- Leg Massage Only System
- Adjustable Bidet Jet
- Ozone Sanitization System
- Water-Heating Syllent Pump
- Friction Heater
- Inline Heater
- Additional Hip or Knee Jets
- Aromatherapy System

Optional Accessories

- Chromotherapy Light System
- Heated Seat & Backrest
- Neck Rest Pillow
- Seat Cushion
- L-Shaped Shower Curtain Rod
- Adjustable Shower Slide Bar
- Swinging Glass Shower Door
- Anti-Scald Valve
- Optional Tile Flange Kit
- Additional 12" Extension Kit
- End Panel for Seat and/or Faucet Side
- Bathing Support Harness



Plumbing Safety Certified



Electrical Safety Certified



Limited Lifetime Warranty



Expedited Freight Shipping (less than 2 weeks)



1274 E Cypress St, Covina, CA 91724

Telephone: 626.581.3588

Fax: 800.943.8652

E-mail: sales@americantubs.com

© 2019 American Tubs



LOVE Series

3052W SLIDE-IN TUB




The American Tubs 3052W from our LOVE Series represents an ambitious balance of accessibility, compactness, and functionality.

The 30" wide, outward-swinging door allows near full front access to the seat making transfers from a wheelchair simpler, while still being able to open the door fully in a narrow, 60" wide bathroom space.

The 3052W comes highly recommended by in-home healthcare professionals for its simplicity when assisting wheelchair users, seniors with dramatically limited mobility, veterans, para- or quadriplegics, amputees, and those individuals with special needs. Special attention was paid to the door and locking mechanism to ensure a worry-free, leak-proof door seal. It is an excellent choice for individuals up to 220 lbs.



THERAPEUTIC SYSTEM OPTIONS

-  **Hydromassage System - 10 Jet**
-  **Air Massage System - 20 Jet**
-  **MicroBubble Skin-Cleansing System**

DOOR/DRAIN ORIENTATION

Left-Hand or Right-Hand



AVAILABLE COLORS

White or Biscuit



STANDARD FEATURES

- Marine-Grade Fiberglass & Resin Composite Tub Shell
- High-Gloss, Triple-Coated Gelcoat Finish
- One-Piece, Stainless-Steel Support Frame
- 6 Adjustable Leveling Legs
- Low, 6" Door Threshold
- Ergonomic, Curved Door Handle
- Water-Tight Door Seal
- 17" High, ADA-Compliant, Contoured Seat
- Interior Safety Grab Bar
- Deck-Mounted, U-Shaped Grab Bar
- Non-Slip, Textured Floor
- Integrated Door Drain
- 2 Integrated Front Access Maintenance Panels
- Color-Matched Extension Kit to Fill to 60"
- Flangeless Design



TUB 3052W SPECIFICATIONS

Tub Dimensions	29 3/4" W x 52" L x 40 1/4" H
Top Diagonal	60"
Tub Weight	185 lbs.
Crated Dimensions	32" W x 54" L x 49" H
Water Capacity	120 lb. / 63 Gallons (with user inside approximately) 200 lb. / 58 Gallons 250 lb. / 55 Gallons
Seat Dimensions	H: 17"; W: 22"
Door Width	30" (at top)
Door Swing	Outward-Swinging

DRAIN OPTIONS

1 1/2" Bath Drain & Overflow
2" HurryDrain™
Secondary Emergency Drain
Power Drain

FAUCET OPTIONS

Elite	4 pcs	Chrome	Modern
Bellevue	5 pcs	Chrome	Modern
Bellevue	5 pcs	Satin/Nickel	Modern
Bellevue	5 pcs	Oil-Rubbed Bronze	Modern
Salutation	5 pcs	Chrome	Classic
Kingston	1 pc	Chrome	Compact

Hydromassage System Add-Ons & Upgrades

- Leg Massage Only System
- Adjustable Bidet Jet
- Ozone Sanitization System
- Water-Heating Syllent Pump
- Friction Heater
- Inline Heater
- Additional Hip or Knee Jets
- Aromatherapy System

Optional Accessories

- Chromotherapy Light System
- Heated Seat & Backrest
- Neck Rest Pillow
- Seat Cushion
- L-Shaped Shower Curtain Rod
- Adjustable Shower Slide Bar
- Swinging Glass Shower Door
- Anti-Scald Valve
- Optional Tile Flange Kit
- Additional 12" Extension Kit
- End Panel for Seat and/or Faucet Side
- Bathing Support Harness



Plumbing Safety Certified



Electrical Safety Certified



Limited Lifetime Warranty



Expedited Freight Shipping (less than 2 weeks)



1274 E Cypress St, Covina, CA 91724

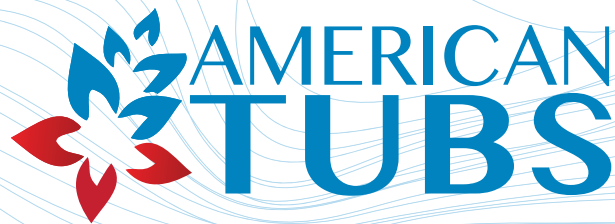
Telephone: 626.581.3588

Fax: 800.943.8652

E-mail: sales@americantubs.com

© 2019 American Tubs





LOVE Series

2852W SLIDE-IN TUB




The American Tubs 2852W is the newest addition to our outward-swinging door LOVE Series and comes packed with specialty features.

The 34 $\frac{3}{4}$ ", extra-wide, outward-swinging door is the highlight of this slide-in or transfer seat walk-in tub design. The full seat access from the exterior of the tub was specifically engineered to accommodate wheelchair users, seniors with dramatically limited mobility, paraplegics, amputees, and those individuals with special needs.

Understandably, the 2852W comes highly recommended by in-home and long-term healthcare professionals. The innovative 180° turn door handle and smooth-glide locking mechanism ensure an effortless, worry-free, leak-proof door seal. The 2852W is also an excellent choice for trimmer individuals up to 220 lbs.



THERAPEUTIC SYSTEM OPTIONS

-  Hydromassage System - 10 Jet
-  Air Massage System - 20 Jet
-  MicroBubble Skin-Cleansing System

DOOR/DRAIN ORIENTATION

Left-Hand or Right-Hand



AVAILABLE COLORS

White or Biscuit



STANDARD FEATURES

- Marine-Grade Fiberglass & Resin Composite Tub Shell
- High-Gloss, Triple-Coated Gelcoat Finish
- One-Piece, Stainless-Steel Support Frame
- 6 Adjustable Leveling Legs
- Low, 7" Door Threshold
- Ergonomic, 180° Turn Door Handle
- Water-Tight Door Seal
- 15" High Contoured Seat
- Interior Safety Grab Bar
- Deck-Mounted, U-Shaped Grab Bar
- Non-Slip, Textured Floor
- Integrated Door Drain
- 3 Integrated Front Access Maintenance Panels
- Color-Matched Extension Kit to Fill to 60"
- Flangeless Design
- Removable Lower Panel for Patient Lift

American Tubs

1274 E Cypress St, Covina, CA 91724

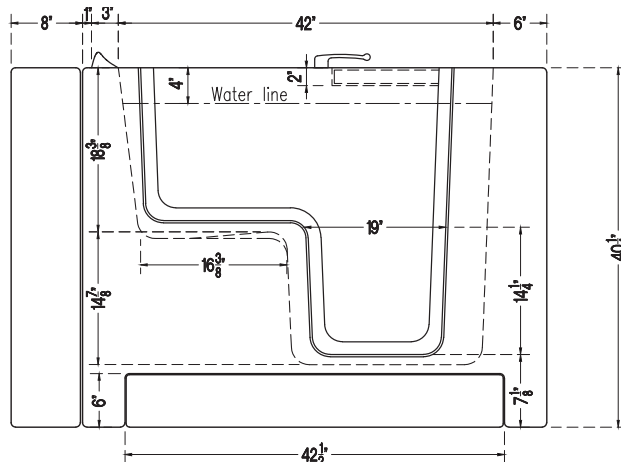
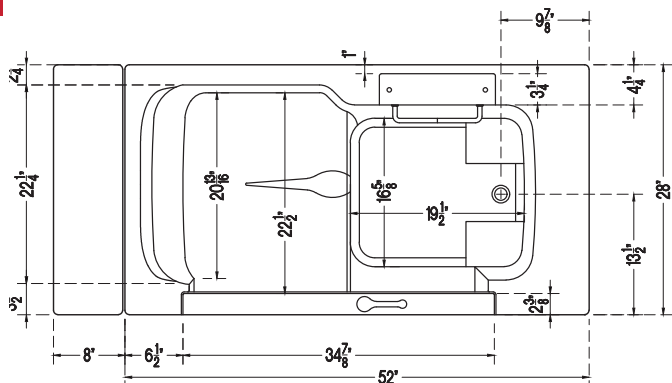
Telephone: 626.581.3588

Fax: 800.943.8652

E-mail: sales@americantubs.com

© 2019 American Tubs

AmericanTubs.com



TUB 2852W SPECIFICATIONS

Tub Dimensions	28" W x 52" L x 40 1/4" H
Top Diagonal	59 1/4"
Tub Weight	200 lbs.
Crated Dimensions	30" W x 54" L x 52" H
Water Capacity (with user inside approximately)	120 lb. / 63 Gallons 200 lb. / 58 Gallons 250 lb. / 55 Gallons
Seat Dimensions	H: 15"; W: 22 1/2"
Door Width	34 3/4" (at top)
Door Swing	Outward-Swinging

DRAIN OPTIONS

1 1/2" Bath Drain & Overflow
2" HurryDrain™
Secondary Emergency Drain
Power Drain

FAUCET OPTIONS

Elite	4 pcs	Chrome	Modern
Bellevue	5 pcs	Chrome	Modern
Bellevue	5 pcs	Satin/Nickel	Modern
Bellevue	5 pcs	Oil-Rubbed Bronze	Modern
Salutation	5 pcs	Chrome	Classic
Kingston	1 pc	Chrome	Compact

Hydromassage System Add-Ons & Upgrades

- Leg Massage Only System
- Adjustable Bidet Jet
- Ozone Sanitization System
- Water-Heating Syllent Pump
- Friction Heater
- Inline Heater
- Additional Hip or Knee Jets
- Aromatherapy System

Optional Accessories

- Chromotherapy Light System
- Heated Seat & Backrest
- Neck Rest Pillow
- Seat Cushion
- L-Shaped Shower Curtain Rod
- Adjustable Shower Slide Bar
- Swinging Glass Shower Door
- Anti-Scald Valve
- Optional Tile Flange Kit
- Additional 12" Extension Kit
- End Panel for Seat and/or Faucet Side
- Bathing Support Harness



Plumbing Safety Certified



Electrical Safety Certified



Limited Lifetime Warranty

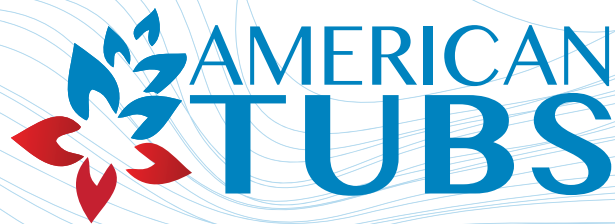


Expedited Freight Shipping (less than 2 weeks)



1274 E Cypress St, Covina, CA 91724
 Telephone: 626.581.3588
 Fax: 800.943.8652
 E-mail: sales@americantubs.com
 © 2019 American Tubs





CARE Series

3555 WALK-IN TUB




The American Tubs 3555 from our CARE Series is a top of the line bariatric walk-in bathtub that provides fuller-figured individuals up to 450 lbs. a safe and comfortable bathing experience. The 3555 is, bar none, the widest and most spacious walk-in model on the market.

The convenient, 23½", curved doorway makes entry and exit of the tub incredibly easy, while the extra-extra-wide, 27" seat, with an under-seat support frame, provides ample bathing space with some additional "wiggle room." Attention should be paid to both the current size of the hot water heater as well as to the hallways, doorways and stairwells leading up to the bathroom. Door widening is almost always required to bring the tub into the bathroom area.

Having the largest well space of any of the American Tubs walk-in tubs, the 3555 is a popular choice for multi-generational homes or for individuals who prefer showers.



THERAPEUTIC SYSTEM OPTIONS

-  **Hydromassage System - 10 Jet**
-  **Air Massage System - 20 Jet**
-  **MicroBubble Skin-Cleansing System**

DOOR/DRAIN ORIENTATION

Left-Hand or Right-Hand



AVAILABLE COLORS

White or Biscuit



STANDARD FEATURES

- Marine-Grade Fiberglass & Resin Composite Tub Shell
- High-Gloss, Triple-Coated Gelcoat Finish
- One-Piece, Stainless-Steel Support Frame
- 6 Adjustable Leveling Legs
- Low, 6" Door Threshold
- Ergonomic, Curved Door Handle
- Water-Tight Door Seal
- 17" High, ADA-Compliant, Contoured Seat
- Interior Safety Grab Bar
- Deck-Mounted, U-Shaped Grab Bar
- Non-Slip, Textured Floor
- Integrated Door Drain
- 2 Integrated Front Access Maintenance Panels
- Color-Matched Extension Kit to Fill to 60"
- Flangeless Design

American Tubs

1274 E Cypress St, Covina, CA 91724

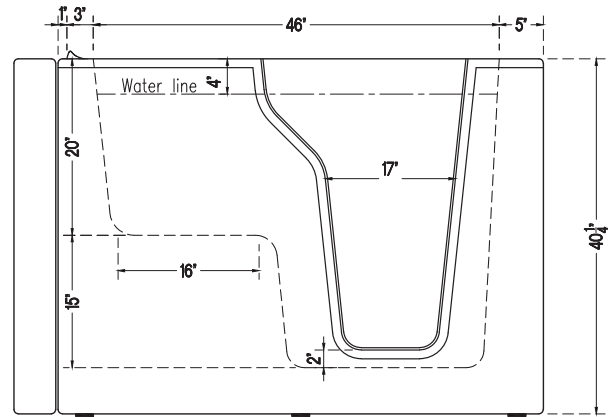
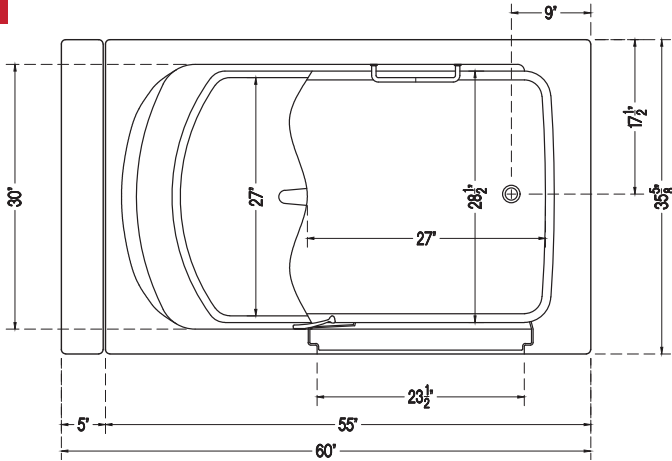
Telephone: 626.581.3588

Fax: 800.943.8652

E-mail: sales@americantubs.com

© 2019 American Tubs

AmericanTubs.com



TUB 3555 SPECIFICATIONS

Tub Dimensions	35 ³ / ₈ " W x 55" L x 40 ¹ / ₄ " H
Top Diagonal	65"
Tub Weight	200 lbs.
Crated Dimensions	37" W x 56" L x 51" H
Water Capacity	300 lb. / 72 Gallons
(with user inside approximately)	350 lb. / 67 Gallons
	400 lb. / 62 Gallons
Seat Dimensions	H: 17"; W: 27"
Door Width	23 ¹ / ₂ " (at top)
Door Swing	Inward-Swinging

DRAIN OPTIONS

1 ¹ / ₂ " Bath Drain & Overflow
2" HurryDrain™
Secondary Emergency Drain
Power Drain

FAUCET OPTIONS

Elite	4 pcs	Chrome	Modern
Bellevue	5 pcs	Chrome	Modern
Bellevue	5 pcs	Satin/Nickel	Modern
Bellevue	5 pcs	Oil-Rubbed Bronze	Modern
Salutation	5 pcs	Chrome	Classic
Kingston	1 pc	Chrome	Compact

Hydromassage System Add-Ons & Upgrades

- Leg Massage Only System
- Adjustable Bidet Jet
- Ozone Sanitization System
- Water-Heating Syllent Pump
- Friction Heater
- Inline Heater
- Additional Hip or Knee Jets
- Aromatherapy System

Optional Accessories

- Chromotherapy Light System
- Heated Seat & Backrest
- Neck Rest Pillow
- Seat Cushion
- L-Shaped Shower Curtain Rod
- Adjustable Shower Slide Bar
- Swinging Glass Shower Door
- Anti-Scald Valve
- Optional Tile Flange Kit
- Additional 12" Extension Kit
- End Panel for Seat and/or Faucet Side
- Bathing Support Harness



Plumbing Safety Certified



Electrical Safety Certified



Limited Lifetime Warranty

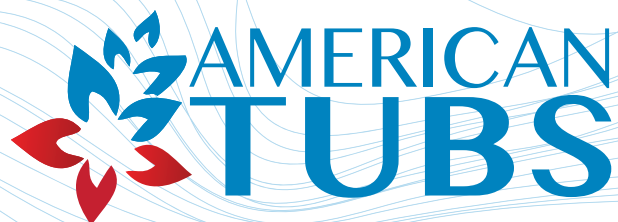


Expedited Freight Shipping (less than 2 weeks)



1274 E Cypress St, Covina, CA 91724
 Telephone: 626.581.3588
 Fax: 800.943.8652
 E-mail: sales@americantubs.com
 © 2019 American Tubs





CARE Series

3355 WALK-IN TUB




The American Tubs 3355 from our CARE Series offers a luxury spa experience in the comforts of your own home. The extra-wide interior is specially designed to accommodate individuals up to 350 lbs.

The 3355 is one of the widest and roomiest walk-in tubs on the market, second only to our 3555 model. The curved, 23½" doorway design allows for easy entry into the tub's interior even for someone with a large midsection. The extra-large, 25½" seat can only be found on the 3555 walk-in tub, plus the expansive well is perfect for a comfortable standing shower.

It's important to note that the 3355 is best suited for larger bathrooms and often requires doorway widening to get it into the bathroom.



THERAPEUTIC SYSTEM OPTIONS

-  **Hydromassage System - 10 Jet**
-  **Air Massage System - 20 Jet**
-  **MicroBubble Skin-Cleansing System**

DOOR/DRAIN ORIENTATION

Left-Hand or Right-Hand



AVAILABLE COLORS

White or Biscuit



STANDARD FEATURES

- Marine-Grade Fiberglass & Resin Composite Tub Shell
- High-Gloss, Triple-Coated Gelcoat Finish
- One-Piece, Stainless-Steel Support Frame
- 6 Adjustable Leveling Legs
- Low, 6" Door Threshold
- Ergonomic, Curved Door Handle
- Water-Tight Door Seal
- 17" High, ADA-Compliant, Contoured Seat
- Interior Safety Grab Bar
- Deck-Mounted, U-Shaped Grab Bar
- Non-Slip, Textured Floor
- Integrated Door Drain
- 2 Integrated Front Access Maintenance Panels
- Color-Matched Extension Kit to Fill to 60"
- Flangeless Design

American Tubs

1274 E Cypress St, Covina, CA 91724

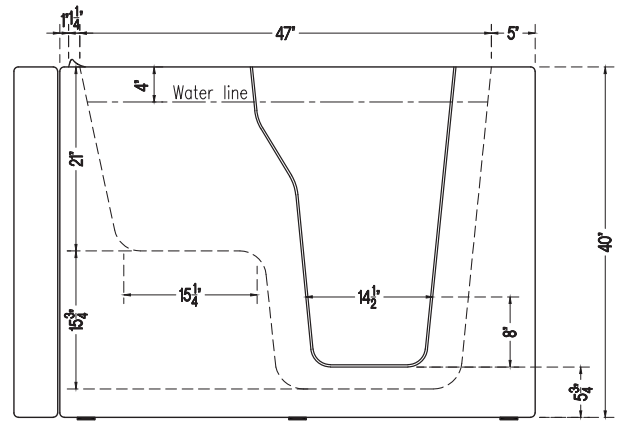
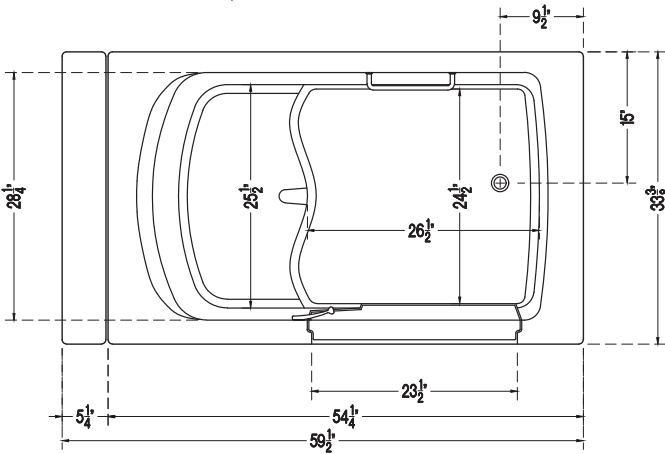
Telephone: 626.581.3588

Fax: 800.943.8652

E-mail: sales@americantubs.com

© 2019 American Tubs

AmericanTubs.com



TUB 3355 SPECIFICATIONS

Tub Dimensions	33 ³ / ₈ " W x 54 ¹ / ₄ " L x 40" H
Top Diagonal	63 ³ / ₄ "
Tub Weight	169 lbs.
Crated Dimensions	35 ¹ / ₄ " W x 56" L x 51" H
Water Capacity (with user inside approximately)	250 lb. / 70 Gallons 300 lb. / 67 Gallons 350 lb. / 64 Gallons
Seat Dimensions	H: 17"; W: 25 ¹ / ₂ "
Door Width	23 ¹ / ₂ " (at top)
Door Swing	Inward-Swinging

DRAIN OPTIONS

1 ¹ / ₂ " Bath Drain & Overflow
2" HurryDrain™
Secondary Emergency Drain
Power Drain

FAUCET OPTIONS

Elite	4 pcs	Chrome	Modern
Bellevue	5 pcs	Chrome	Modern
Bellevue	5 pcs	Satin/Nickel	Modern
Bellevue	5 pcs	Oil-Rubbed Bronze	Modern
Salutation	5 pcs	Chrome	Classic
Kingston	1 pc	Chrome	Compact

Hydromassage System Add-Ons & Upgrades

- Leg Massage Only System
- Adjustable Bidet Jet
- Ozone Sanitization System
- Water-Heating Syllent Pump
- Friction Heater
- Inline Heater
- Additional Hip or Knee Jets
- Aromatherapy System

Optional Accessories

- Chromotherapy Light System
- Heated Seat & Backrest
- Neck Rest Pillow
- Seat Cushion
- L-Shaped Shower Curtain Rod
- Adjustable Shower Slide Bar
- Swinging Glass Shower Door
- Anti-Scald Valve
- Optional Tile Flange Kit
- Additional 12" Extension Kit
- End Panel for Seat and/or Faucet Side
- Bathing Support Harness



Plumbing Safety Certified



Electrical Safety Certified



Limited Lifetime Warranty



Expedited Freight Shipping (less than 2 weeks)



1274 E Cypress St, Covina, CA 91724
 Telephone: 626.581.3588
 Fax: 800.943.8652
 E-mail: sales@americantubs.com
 © 2019 American Tubs



CARE Series

3060 WALK-IN TUB

The American Tubs 3060 from our CARE Series has been a staple in the walk-in tub industry for over three decades.

Its 30" width and full 60" length perfectly fit into most standard tub or shower spaces, while its extra-wide 20½" seat and extended well provide a comfortable bathing position and ample room to stretch your legs. Due to its full 60" length, the 3060 does not come with a matching extension kit.

When selecting the 3060, it is important to consider the turning radius and other maneuverability factors to ensure it can be easily positioned in the bathing space and subsequently installed. The 3060 is the perfect choice for individuals with long legs between 120-230 lbs.



THERAPEUTIC SYSTEM OPTIONS

Hydromassage System - 10 Jet

Air Massage System - 20 Jet

MicroBubble Skin-Cleansing System

DOOR/DRAIN ORIENTATION

Left-Hand or Right-Hand



AVAILABLE COLORS

White or Biscuit



STANDARD FEATURES

- Marine-Grade Fiberglass & Resin Composite Tub Shell
- High-Gloss, Triple-Coated Gelcoat Finish
- One-Piece, Stainless-Steel Support Frame
- 6 Adjustable Leveling Legs
- Low, 6" Door Threshold
- Ergonomic, Curved Door Handle
- Water-Tight Door Seal
- 17" High, ADA-Compliant, Contoured Seat
- Interior Safety Grab Bar
- Deck-Mounted, U-Shaped Grab Bar
- Non-Slip, Textured Floor
- Integrated Door Drain
- 2 Integrated Front Access Maintenance Panels
- Color-Matched Extension Kit to Fill to 60"
- Flangeless Design



TUB 3060 SPECIFICATIONS

Tub Dimensions	30" W x 60" L x 36" H
Top Diagonal	66 1/4"
Tub Weight	155 lbs.
Crated Dimensions	33" W x 61" L x 44" H
Water Capacity (with user inside approximately)	120 lb. / 71 Gallons 200 lb. / 66 Gallons 250 lb. / 60 Gallons
Seat Dimensions	H: 17"; W: 20 1/2"
Door Width	18" (at top)
Door Swing	Inward-Swinging

DRAIN OPTIONS

1 1/2" Bath Drain & Overflow
2" HurryDrain™
Secondary Emergency Drain
Power Drain

FAUCET OPTIONS

Elite	4 pcs	Chrome	Modern
Bellevue	5 pcs	Chrome	Modern
Bellevue	5 pcs	Satin/Nickel	Modern
Bellevue	5 pcs	Oil-Rubbed Bronze	Modern
Salutation	5 pcs	Chrome	Classic
Kingston	1 pc	Chrome	Compact

Hydromassage System Add-Ons & Upgrades

- Leg Massage Only System
- Adjustable Bidet Jet
- Ozone Sanitization System
- Water-Heating Syllent Pump
- Friction Heater
- Inline Heater
- Additional Hip or Knee Jets
- Aromatherapy System

Optional Accessories

- Chromotherapy Light System
- Heated Seat & Backrest
- Neck Rest Pillow
- Seat Cushion
- L-Shaped Shower Curtain Rod
- Adjustable Shower Slide Bar
- Swinging Glass Shower Door
- Anti-Scald Valve
- Optional Tile Flange Kit
- Additional 12" Extension Kit
- End Panel for Seat and/or Faucet Side
- Bathing Support Harness



Plumbing Safety Certified



Electrical Safety Certified



Limited Lifetime Warranty

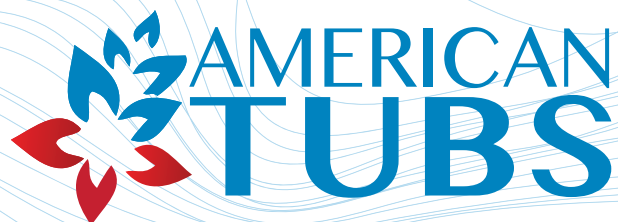


Expedited Freight Shipping (less than 2 weeks)



1274 E Cypress St, Covina, CA 91724
 Telephone: 626.581.3588
 Fax: 800.943.8652
 E-mail: sales@americantubs.com
 © 2019 American Tubs





CARE Series

3055 WALK-IN TUB




The American Tubs 3055 from our CARE Series encapsulates the essence of a luxurious and pampering walk-in bathtub experience. With its 46" height and lavish bathing depth, the 3055 is the deepest walk-in tub on the market.

Emulating the immense soaking baths found in Japan, the 3055 enables the bather to fully immerse themselves in warm water for a truly sumptuous bathing experience. This is an excellent tub choice for users 6'2" or taller. It is very important to consider the size of the current hot water heater when evaluating this model for your home, as it can require upwards of 95 gallons of water with a smaller bather.

To ensure a balmy and relaxing bath, most homeowners pair the 3055 with a new, larger hot water heater tank, our fast-fill faucets, and patented 2" HurryDrain™.



THERAPEUTIC SYSTEM OPTIONS

-  **Hydromassage System - 10 Jet**
-  **Air Massage System - 20 Jet**
-  **MicroBubble Skin-Cleansing System**

DOOR/DRAIN ORIENTATION

Left-Hand or Right-Hand



AVAILABLE COLORS

White or Biscuit



STANDARD FEATURES

- Marine-Grade Fiberglass & Resin Composite Tub Shell
- High-Gloss, Triple-Coated Gelcoat Finish
- One-Piece, Stainless-Steel Support Frame
- 6 Adjustable Leveling Legs
- Low, 6" Door Threshold
- Ergonomic, Curved Door Handle
- Water-Tight Door Seal
- 17" High, ADA-Compliant, Contoured Seat
- Interior Safety Grab Bar
- Deck-Mounted, U-Shaped Grab Bar
- Non-Slip, Textured Floor
- Integrated Door Drain
- 2 Integrated Front Access Maintenance Panels
- Color-Matched Extension Kit to Fill to 60"
- Flangeless Design

American Tubs

1274 E Cypress St, Covina, CA 91724

Telephone: 626.581.3588

Fax: 800.943.8652

E-mail: sales@americantubs.com



TUB 3055 SPECIFICATIONS

Tub Dimensions	29½" W x 55" L x 46" H
Top Diagonal	62½"
Tub Weight	190 lbs.
Crated Dimensions	32¾" W x 56½" L x 56" H
Water Capacity (with user inside approximately)	120 lb. / 100 Gallons 200 lb. / 95 Gallons 250 lb. / 90 Gallons
Seat Dimensions	H: 17"; W: 21"
Door Width	18" (at top)
Door Swing	Inward-Swinging

DRAIN OPTIONS

1½" Bath Drain & Overflow
2" HurryDrain™
Secondary Emergency Drain
Power Drain

FAUCET OPTIONS

Elite	4 pcs	Chrome	Modern
Bellevue	5 pcs	Chrome	Modern
Bellevue	5 pcs	Satin/Nickel	Modern
Bellevue	5 pcs	Oil-Rubbed Bronze	Modern
Salutation	5 pcs	Chrome	Classic
Kingston	1 pc	Chrome	Compact

Hydromassage System Add-Ons & Upgrades

- Leg Massage Only System
- Adjustable Bidet Jet
- Ozone Sanitization System
- Water-Heating Syllent Pump
- Friction Heater
- Inline Heater
- Additional Hip or Knee Jets
- Aromatherapy System

Optional Accessories

- Chromotherapy Light System
- Heated Seat & Backrest
- Neck Rest Pillow
- Seat Cushion
- L-Shaped Shower Curtain Rod
- Adjustable Shower Slide Bar
- Swinging Glass Shower Door
- Anti-Scald Valve
- Optional Tile Flange Kit
- End Panel for Seat and/or Faucet Side
- Bathing Support Harness



Plumbing Safety Certified



Electrical Safety Certified



Limited Lifetime Warranty

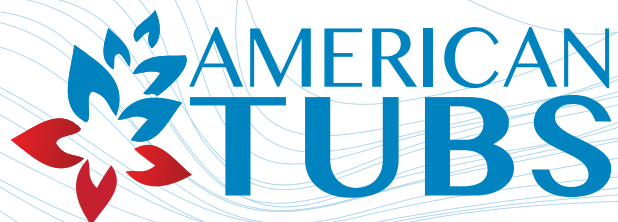


Expedited Freight Shipping (less than 2 weeks)



1274 E Cypress St, Covina, CA 91724
 Telephone: 626.581.3588
 Fax: 800.943.8652
 E-mail: sales@americantubs.com
 © 2019 American Tubs





CARE Series

3054 WALK-IN TUB

Despite it being one of the first models ever designed, the American Tubs 3054 from our CARE Series remains one of the most popular and top selling models to this day.

The 3054 offers a safe and elegant spa experience within the comforts of your own home. With a 20½" wide seat and moderate 38" overall height, this time-tested design provides ample leg room and a supremely comfortable bathing position, all contained in a relatively standard footprint to fit most bathtub areas.

Although, "one-size fits all" is not a phrase typically associated with walk-in tubs, the 3054 comes the closest to claiming that title.



THERAPEUTIC SYSTEM OPTIONS

Hydromassage System - 10 Jet

Air Massage System - 20 Jet

MicroBubble Skin-Cleansing System

DOOR/DRAIN ORIENTATION

Left-Hand or Right-Hand



AVAILABLE COLORS

White or Biscuit



STANDARD FEATURES

- Marine-Grade Fiberglass & Resin Composite Tub Shell
- High-Gloss, Triple-Coated Gelcoat Finish
- One-Piece, Stainless-Steel Support Frame
- 6 Adjustable Leveling Legs
- Low, 6" Door Threshold
- Ergonomic, Curved Door Handle
- Water-Tight Door Seal
- 17" High, ADA-Compliant, Contoured Seat
- Interior Safety Grab Bar
- Deck-Mounted, U-Shaped Grab Bar
- Non-Slip, Textured Floor
- Integrated Door Drain
- 2 Integrated Front Access Maintenance Panels
- Color-Matched Extension Kit to Fill to 60"
- Flangeless Design

American Tubs

1274 E Cypress St, Covina, CA 91724

Telephone: 626.581.3588

Fax: 800.943.8652

E-mail: sales@americantubs.com

© 2019 American Tubs

AmericanTubs.com



TUB 3054 SPECIFICATIONS

Tub Dimensions	29½" W x 54" L x 38" H
Top Diagonal	61⅞"
Tub Weight	168 lbs.
Crated Dimensions	32" W x 56" L x 48" H
Water Capacity (with user inside approximately)	120 lb. / 60 Gallons 200 lb. / 55 Gallons 250 lb. / 52 Gallons
Seat Dimensions	H: 17"; W: 20½"
Door Width	18" (at top)
Door Swing	Inward-Swinging

DRAIN OPTIONS

1½" Bath Drain & Overflow
2" HurryDrain™
Secondary Emergency Drain
Power Drain

FAUCET OPTIONS

Elite	4 pcs	Chrome	Modern
Bellevue	5 pcs	Chrome	Modern
Bellevue	5 pcs	Satin/Nickel	Modern
Bellevue	5 pcs	Oil-Rubbed Bronze	Modern
Salutation	5 pcs	Chrome	Classic
Kingston	1 pc	Chrome	Compact

Hydromassage System Add-Ons & Upgrades

- Leg Massage Only System
- Adjustable Bidet Jet
- Ozone Sanitization System
- Water-Heating Syllent Pump
- Friction Heater
- Inline Heater
- Additional Hip or Knee Jets
- Aromatherapy System

Optional Accessories

- Chromotherapy Light System
- Heated Seat & Backrest
- Neck Rest Pillow
- Seat Cushion
- L-Shaped Shower Curtain Rod
- Adjustable Shower Slide Bar
- Swinging Glass Shower Door
- Anti-Scald Valve
- Optional Tile Flange Kit
- Additional 12" Extension Kit
- End Panel for Seat and/or Faucet Side
- Bathing Support Harness



Plumbing Safety Certified



Electrical Safety Certified



Limited Lifetime Warranty

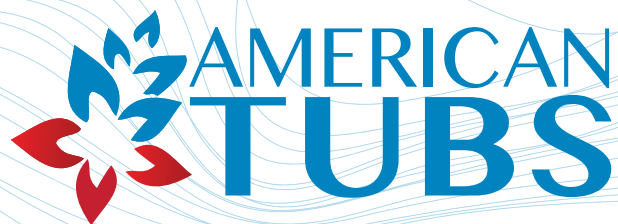


Expedited Freight Shipping (less than 2 weeks)



1274 E Cypress St, Covina, CA 91724
 Telephone: 626.581.3588
 Fax: 800.943.8652
 E-mail: sales@americantubs.com
 © 2019 American Tubs





CARE Series

3052S WALK-IN TUB




The American Tubs 3052-S from our CARE Series represents an updated twist on the more traditional walk-in tub design.

With its 40" high tub basin, the 3052-S offers an increased bathing depth while maintaining a compact footprint for small bathrooms. Its overall size and 20½" seat make the 3052 the perfect size for narrow bathrooms, while being large enough to accommodate individuals between 120-250 lbs.

The innovative curved door design, affectionately called the "knee-saver" design, makes closing the door from a seated position much simpler, while its 20" door width provides ample entry space for larger individuals. This newer rendition of the 3052 has overtaken other traditional models as one of our top sellers.



THERAPEUTIC SYSTEM OPTIONS

-  **Hydromassage System - 10 Jet**
-  **Air Massage System - 20 Jet**
-  **MicroBubble Skin-Cleansing System**

DOOR/DRAIN ORIENTATION

Left-Hand or Right-Hand



AVAILABLE COLORS

White or Biscuit



STANDARD FEATURES

- Marine-Grade Fiberglass & Resin Composite Tub Shell
- High-Gloss, Triple-Coated Gelcoat Finish
- One-Piece, Stainless-Steel Support Frame
- 6 Adjustable Leveling Legs
- Low, 6" Door Threshold
- Ergonomic, Curved Door Handle
- Water-Tight Door Seal
- 17" High, ADA-Compliant, Contoured Seat
- Interior Safety Grab Bar
- Deck-Mounted, U-Shaped Grab Bar
- Non-Slip, Textured Floor
- Integrated Door Drain
- 2 Integrated Front Access Maintenance Panels
- Color-Matched Extension Kit to Fill to 60"
- Flangeless Design

American Tubs

1274 E Cypress St, Covina, CA 91724

Telephone: 626.581.3588

Fax: 800.943.8652

E-mail: sales@americantubs.com



TUB 3052S SPECIFICATIONS

Tub Dimensions	29 1/2" W x 51 1/2" L x 40" H
Top Diagonal	59 1/2"
Tub Weight	205 lbs.
Crated Dimensions	31 1/2" W x 53 1/2" L x 49" H
Water Capacity (with user inside approximately)	120 lb. / 58 Gallons 200 lb. / 53 Gallons 250 lb. / 50 Gallons
Seat Dimensions	H: 17"; W: 20"
Door Width	20" (at top)
Door Swing	Inward-Swinging

DRAIN OPTIONS

1 1/2" Bath Drain & Overflow
2" HurryDrain™
Secondary Emergency Drain
Power Drain

FAUCET OPTIONS

Elite	4 pcs	Chrome	Modern
Bellevue	5 pcs	Chrome	Modern
Bellevue	5 pcs	Satin/Nickel	Modern
Bellevue	5 pcs	Oil-Rubbed Bronze	Modern
Salutation	5 pcs	Chrome	Classic
Kingston	1 pc	Chrome	Compact

Hydromassage System Add-Ons & Upgrades

- Leg Massage Only System
- Adjustable Bidet Jet
- Ozone Sanitization System
- Water-Heating Syllent Pump
- Friction Heater
- Inline Heater
- Additional Hip or Knee Jets
- Aromatherapy System

Optional Accessories

- Chromotherapy Light System
- Heated Seat & Backrest
- Neck Rest Pillow
- Seat Cushion
- L-Shaped Shower Curtain Rod
- Adjustable Shower Slide Bar
- Swinging Glass Shower Door
- Anti-Scald Valve
- Optional Tile Flange Kit
- Additional 12" Extension Kit
- End Panel for Seat and/or Faucet Side
- Bathing Support Harness



Plumbing Safety Certified



Electrical Safety Certified



Limited Lifetime Warranty



Expedited Freight Shipping (less than 2 weeks)



1274 E Cypress St, Covina, CA 91724

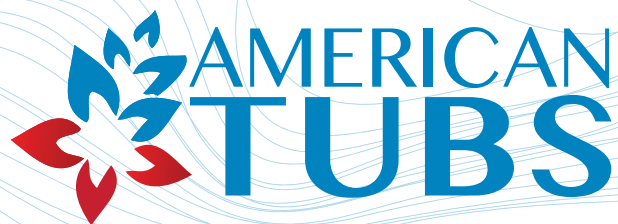
Telephone: 626.581.3588

Fax: 800.943.8652

E-mail: sales@americantubs.com

© 2019 American Tubs





CARE Series

2852S WALK-IN TUB




The American Tubs 2852-S from our CARE Series presents an elegant, safe and rewarding spa experience within the comfort of your own home! After a decade of fine-tuning and development, the 2852-S represents the optimal balance of exterior to interior space, allowing for a roomy and comfortable interior.

Boasting a 41" height, this model provides a deep soak experience for the upper body. Additionally, its relatively compact outer dimensions allow it to be maneuvered easily through most standard doorways, hallways and stairwells. The innovative curved door design, affectionately called the "knee-saver", features a large 20" wide upper measurement with a narrow 14" lower width on the door making closing the door while seated significantly easier.

Aesthetically appealing to the eye, yet spacious and accommodating, the 2852-S is ideal for individuals up to 240 lbs. It is no wonder the 2852-S is quickly becoming our top seller.



THERAPEUTIC SYSTEM OPTIONS

-  **Hydromassage System - 10 Jet**
-  **Air Massage System - 20 Jet**
-  **MicroBubble Skin-Cleansing System**

DOOR/DRAIN ORIENTATION

Left-Hand or Right-Hand



AVAILABLE COLORS

White or Biscuit



STANDARD FEATURES

- Marine-Grade Fiberglass & Resin Composite Tub Shell
- High-Gloss, Triple-Coated Gelcoat Finish
- One-Piece, Stainless-Steel Support Frame
- 6 Adjustable Leveling Legs
- Low, 6" Door Threshold
- Ergonomic, Curved Door Handle
- Water-Tight Door Seal
- 17" High, ADA-Compliant, Contoured Seat
- Interior Safety Grab Bar
- Deck-Mounted, U-Shaped Grab Bar
- Non-Slip, Textured Floor
- Integrated Door Drain
- 2 Integrated Front Access Maintenance Panels
- Color-Matched Extension Kit to Fill to 60"
- Flangeless Design

American Tubs

1274 E Cypress St, Covina, CA 91724

Telephone: 626.581.3588

Fax: 800.943.8652

E-mail: sales@americantubs.com

© 2019 American Tubs

AmericanTubs.com



TUB 2852S SPECIFICATIONS

Tub Dimensions	28" W x 51" L x 41" H
Top Diagonal	58 1/4"
Tub Weight	150 lbs.
Crated Dimensions	30" W x 53" L x 50" H
Water Capacity (with user inside approximately)	120 lb. / 61 Gallons 200 lb. / 56 Gallons 220 lb. / 54 Gallons
Seat Dimensions	H: 17"; W: 19 1/2"
Door Width	20" (at top)
Door Swing	Inward-Swinging

DRAIN OPTIONS

1 1/2" Bath Drain & Overflow
2" HurryDrain™
Secondary Emergency Drain
Power Drain

FAUCET OPTIONS

Elite	4 pcs	Chrome	Modern
Bellevue	5 pcs	Chrome	Modern
Bellevue	5 pcs	Satin/Nickel	Modern
Bellevue	5 pcs	Oil-Rubbed Bronze	Modern
Salutation	5 pcs	Chrome	Classic
Kingston	1 pc	Chrome	Compact

Hydromassage System Add-Ons & Upgrades

- Leg Massage Only System
- Adjustable Bidet Jet
- Ozone Sanitization System
- Water-Heating Syllent Pump
- Friction Heater
- Inline Heater
- Additional Hip or Knee Jets
- Aromatherapy System

Optional Accessories

- Chromotherapy Light System
- Heated Seat & Backrest
- Neck Rest Pillow
- Seat Cushion
- L-Shaped Shower Curtain Rod
- Adjustable Shower Slide Bar
- Swinging Glass Shower Door
- Anti-Scald Valve
- Optional Tile Flange Kit
- Additional 12" Extension Kit
- End Panel for Seat and/or Faucet Side
- Bathing Support Harness



Plumbing Safety Certified



Electrical Safety Certified



Limited Lifetime Warranty

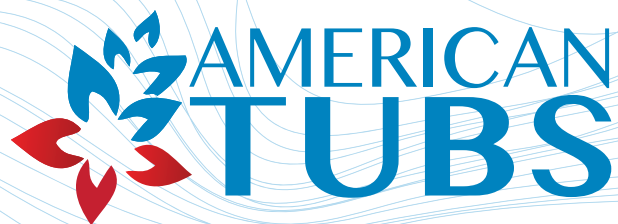


Expedited Freight Shipping (less than 2 weeks)



1274 E Cypress St, Covina, CA 91724
 Telephone: 626.581.3588
 Fax: 800.943.8652
 E-mail: sales@americantubs.com
 © 2019 American Tubs





CARE Series

2848 WALK-IN TUB




The American Tubs 2848 from our CARE Series presents an elegant, safe and rewarding spa experience within a unique, space-saving design.

The 2848's compact width and length allows for easy maneuverability through narrow doorways, hallways, and perfectly fits in tight spaces. This is the tub of choice for either petite users between 100-160 lbs. and shorter than 5'10" tall, or for installation in a 48" shower stall.

This rare tub size enables even mobile homeowners and those with a three-quarter bath to recapture their independence. The curved, "knee-saver" door design makes closing the door much simpler from a seated position.



THERAPEUTIC SYSTEM OPTIONS

-  Hydromassage System - 10 Jet
-  Air Massage System - 20 Jet
-  MicroBubble Skin-Cleansing System

DOOR/DRAIN ORIENTATION

Left-Hand or Right-Hand



AVAILABLE COLORS

White or Biscuit



STANDARD FEATURES

- Marine-Grade Fiberglass & Resin Composite Tub Shell
- High-Gloss, Triple-Coated Gelcoat Finish
- One-Piece, Stainless-Steel Support Frame
- 6 Adjustable Leveling Legs
- Low, 6" Door Threshold
- Ergonomic, Curved Door Handle
- Water-Tight Door Seal
- 17" High, Contoured Seat
- Interior Safety Grab Bar
- Deck-Mounted, U-Shaped Grab Bar
- Non-Slip, Textured Floor
- Integrated Door Drain
- 2 Integrated Front Access Maintenance Panels
- Color-Matched Extension Kit to Fill to 60"
- Flangeless Design

American Tubs

1274 E Cypress St, Covina, CA 91724

Telephone: 626.581.3588

Fax: 800.943.8652

E-mail: sales@americantubs.com

© 2019 American Tubs

AmericanTubs.com



TUB 2848 SPECIFICATIONS

Tub Dimensions	28" W x 47½" L x 40" H
Top Diagonal	55"
Tub Weight	144 lbs.
Crated Dimensions	30" W x 50" L x 50" H
Water Capacity	120 lb. / 57 Gallons (with user inside approximately) 200 lb. / 52 Gallons 250 lb. / 50 Gallons
Seat Dimensions	H: 17"; W: 20"
Door Width	19" (at top)
Door Swing	Inward-Swinging

DRAIN OPTIONS

1½" Bath Drain & Overflow
2" HurryDrain™
Secondary Emergency Drain
Power Drain

FAUCET OPTIONS

Elite	4 pcs	Chrome	Modern
Bellevue	5 pcs	Chrome	Modern
Bellevue	5 pcs	Satin/Nickel	Modern
Bellevue	5 pcs	Oil-Rubbed Bronze	Modern
Salutation	5 pcs	Chrome	Classic
Kingston	1 pc	Chrome	Compact

Hydromassage System Add-Ons & Upgrades

- Leg Massage Only System
- Adjustable Bidet Jet
- Ozone Sanitization System
- Water-Heating Syllent Pump
- Friction Heater
- Inline Heater
- Additional Hip or Knee Jets
- Aromatherapy System

Optional Accessories

- Chromotherapy Light System
- Heated Seat & Backrest
- Neck Rest Pillow
- Seat Cushion
- L-Shaped Shower Curtain Rod
- Adjustable Shower Slide Bar
- Swinging Glass Shower Door
- Anti-Scald Valve
- Optional Tile Flange Kit
- Additional 12" Extension Kit
- End Panel for Seat and/or Faucet Side
- Bathing Support Harness



Plumbing Safety Certified



Electrical Safety Certified



Limited Lifetime Warranty



Expedited Freight Shipping (less than 2 weeks)



1274 E Cypress St, Covina, CA 91724

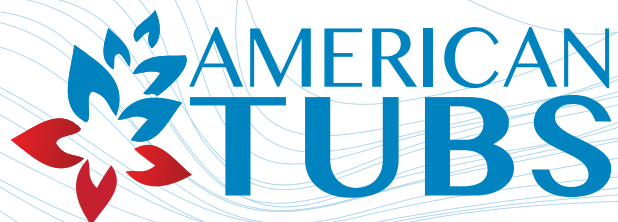
Telephone: 626.581.3588

Fax: 800.943.8652

E-mail: sales@americantubs.com

© 2019 American Tubs





CARE Series

2653 WALK-IN TUB




The American Tubs 2653 from our CARE Series presents an elegant, safe and rewarding spa experience within a unique compact design.

The 2653's minimal footprint maneuvers easily through most narrow doorways, hallways, and fits most bathtub or shower spaces. This space-saving design is often the most cost-effective unit as its outer dimensions minimize construction costs.

With its 16" wide doorway and 36" overall height, the 2653 is an excellent pairing for petite users between 90-140 lbs. and roughly 5'4" tall.



THERAPEUTIC SYSTEM OPTIONS

-  Hydromassage System - 10 Jet
-  Air Massage System - 20 Jet
-  MicroBubble Skin-Cleansing System

DOOR/DRAIN ORIENTATION

Left-Hand or Right-Hand



AVAILABLE COLORS

White or Biscuit



STANDARD FEATURES

- Marine-Grade Fiberglass & Resin Composite Tub Shell
- High-Gloss, Triple-Coated Gelcoat Finish
- One-Piece, Stainless-Steel Support Frame
- 6 Adjustable Leveling Legs
- Low, 6" Door Threshold
- Ergonomic, Curved Door Handle
- Water-Tight Door Seal
- 17" High, Contoured Seat
- Interior Safety Grab Bar
- Deck-Mounted, U-Shaped Grab Bar
- Non-Slip, Textured Floor
- Integrated Door Drain
- 2 Integrated Front Access Maintenance Panels
- Color-Matched Extension Kit to Fill to 60"
- Flangeless Design

American Tubs

1274 E Cypress St, Covina, CA 91724

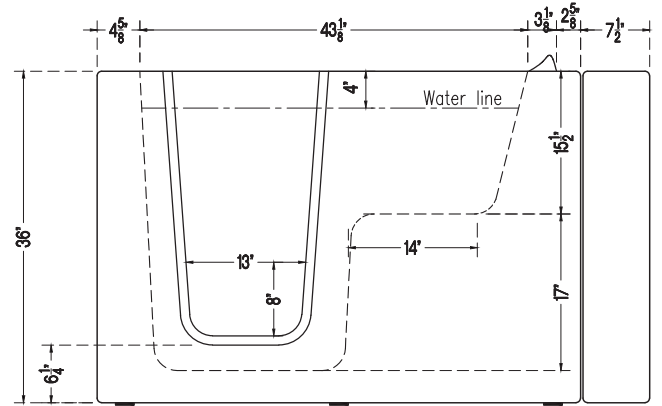
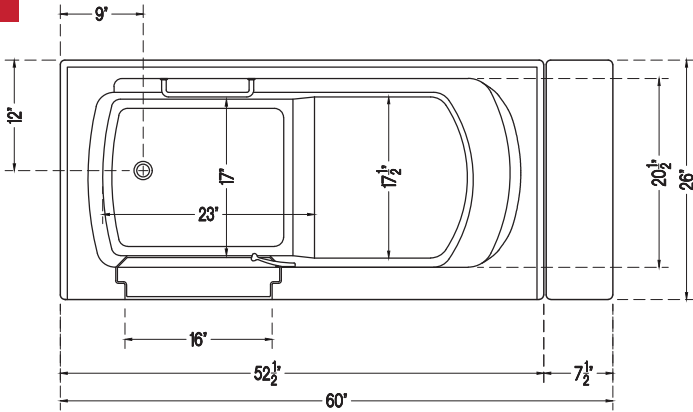
Telephone: 626.581.3588

Fax: 800.943.8652

E-mail: sales@americantubs.com

© 2019 American Tubs

AmericanTubs.com



TUB 2653 SPECIFICATIONS

Tub Dimensions	26" W x 52½" L x 36" H
Top Diagonal	58¾"
Tub Weight	150 lbs.
Crated Dimensions	28" W x 55" L x 46" H
Water Capacity (with user inside approximately)	120 lb. / 46 Gallons 150 lb. / 44 Gallons 200 lb. / 42 Gallons
Seat Dimensions	H: 17"; W: 17 ½"
Door Width	16" (at top)
Door Swing	Inward-Swinging

DRAIN OPTIONS

1½" Bath Drain & Overflow
2" HurryDrain™
Secondary Emergency Drain
Power Drain

FAUCET OPTIONS

Elite	4 pcs	Chrome	Modern
Bellevue	5 pcs	Chrome	Modern
Bellevue	5 pcs	Satin/Nickel	Modern
Bellevue	5 pcs	Oil-Rubbed Bronze	Modern
Salutation	5 pcs	Chrome	Classic
Kingston	1 pc	Chrome	Compact

Hydromassage System Add-Ons & Upgrades

- Leg Massage Only System
- Adjustable Bidet Jet
- Ozone Sanitization System
- Water-Heating Syllent Pump
- Friction Heater
- Inline Heater
- Additional Hip or Knee Jets
- Aromatherapy System

Optional Accessories

- Chromotherapy Light System
- Heated Seat & Backrest
- Neck Rest Pillow
- Seat Cushion
- L-Shaped Shower Curtain Rod
- Adjustable Shower Slide Bar
- Swinging Glass Shower Door
- Anti-Scald Valve
- Optional Tile Flange Kit
- Additional 12" Extension Kit
- End Panel for Seat and/or Faucet Side
- Bathing Support Harness



Plumbing Safety Certified



Electrical Safety Certified



Limited Lifetime Warranty

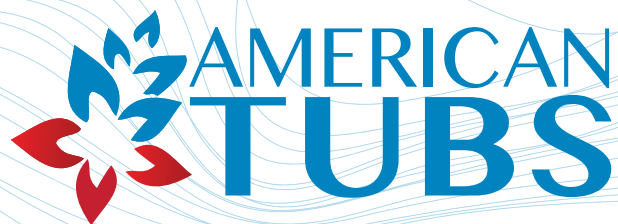


Expedited Freight Shipping (less than 2 weeks)



1274 E Cypress St, Covina, CA 91724
 Telephone: 626.581.3588
 Fax: 800.943.8652
 E-mail: sales@americantubs.com
 © 2019 American Tubs





CARE Series

2646 WALK-IN TUB




The American Tubs 2646 from our CARE Series presents an elegant, safe and rewarding spa experience within a unique, space-saving design.

The 2646's compact width and length allows for easy maneuverability through narrow doorways, hallways, and perfectly fits in tight spaces.

This is the tub of choice for either petite users between 80-140 lbs. and shorter than 5'6" tall, or for installation in a 48" shower stall. This rare tub size enables even mobile homeowners and those with a three-quarter bath to recapture their independence.



THERAPEUTIC SYSTEM OPTIONS

-  Hydromassage System - 10 Jet
-  Air Massage System - 20 Jet
-  MicroBubble Skin-Cleansing System

DOOR/DRAIN ORIENTATION

Left-Hand or Right-Hand



AVAILABLE COLORS

White or Biscuit



STANDARD FEATURES

- Marine-Grade Fiberglass & Resin Composite Shell
- High-Gloss, Triple-Coated Gelcoat Finish
- One-Piece, Stainless-Steel Support Frame
- 6 Adjustable Leveling Legs
- Low, 6" Door Threshold
- Ergonomic, Curved Door Handle
- Water-Tight Door Seal
- 16" High, Contoured Seat
- Interior Safety Grab Bar
- Deck-Mounted, U-Shaped Grab Bar
- Non-Slip, Textured Floor
- Integrated Door Drain
- 2 Integrated Front Access Maintenance Panels
- Color-Matched Extension Kit to Fill to 60"
- Flangeless Design

American Tubs

1274 E Cypress St, Covina, CA 91724

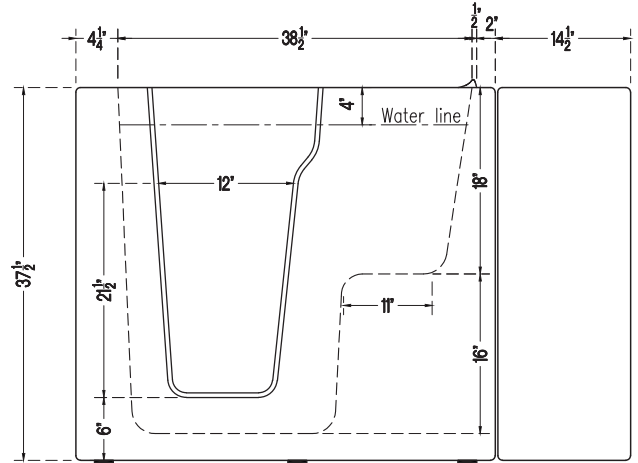
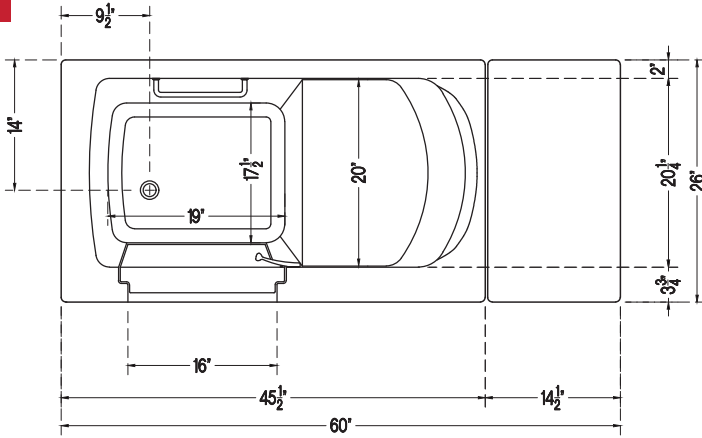
Telephone: 626.581.3588

Fax: 800.943.8652

E-mail: sales@americantubs.com

© 2019 American Tubs

AmericanTubs.com



TUB 2646 SPECIFICATIONS

Tub Dimensions	26" W x 45½" L x 37½" H
Top Diagonal	52½"
Tub Weight	155 lbs.
Crated Dimensions	28" W x 47" L x 48" H
Water Capacity (with user inside approximately)	120 lb. / 40 Gallons 200 lb. / 36 Gallons 250 lb. / 34 Gallons
Seat Dimensions	H: 16"; W: 20"
Door Width	16" (at top)
Door Swing	Inward-Swinging

DRAIN OPTIONS

1½" Bath Drain & Overflow
2" HurryDrain™
Secondary Emergency Drain
Power Drain

FAUCET OPTIONS

Elite	4 pcs	Chrome	Modern
Bellevue	5 pcs	Chrome	Modern
Bellevue	5 pcs	Satin/Nickel	Modern
Bellevue	5 pcs	Oil-Rubbed Bronze	Modern
Salutation	5 pcs	Chrome	Classic
Kingston	1 pc	Chrome	Compact

Hydromassage System Add-Ons & Upgrades

- Leg Massage Only System
- Adjustable Bidet Jet
- Ozone Sanitization System
- Water-Heating Syllent Pump
- Friction Heater
- Inline Heater
- Additional Hip or Knee Jets
- Aromatherapy System

Optional Accessories

- Chromotherapy Light System
- Heated Seat & Backrest
- Neck Rest Pillow
- Seat Cushion
- L-Shaped Shower Curtain Rod
- Adjustable Shower Slide Bar
- Swinging Glass Shower Door
- Anti-Scald Valve
- Optional Tile Flange Kit
- Additional 12" Extension Kit
- End Panel for Seat and/or Faucet Side
- Bathing Support Harness



Plumbing Safety Certified



Electrical Safety Certified



Limited Lifetime Warranty



Expedited Freight Shipping (less than 2 weeks)



1274 E Cypress St, Covina, CA 91724
 Telephone: 626.581.3588
 Fax: 800.943.8652
 E-mail: sales@americantubs.com
 © 2019 American Tubs

